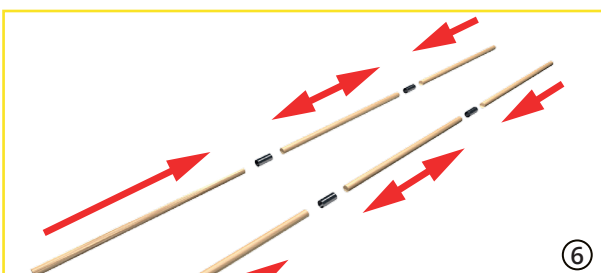
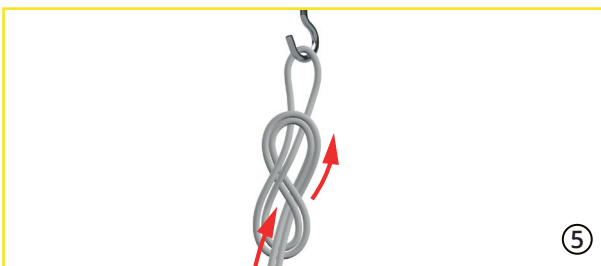
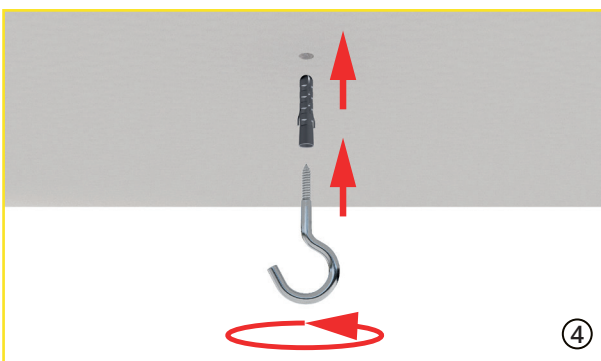
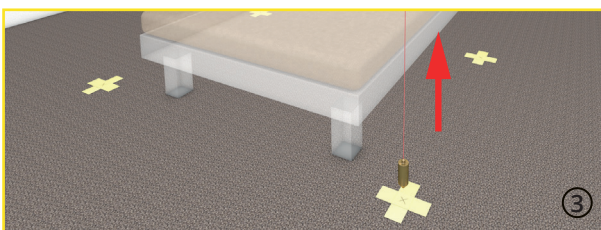
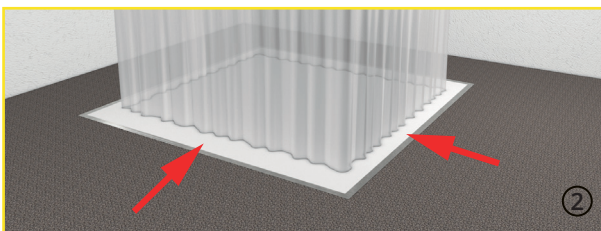
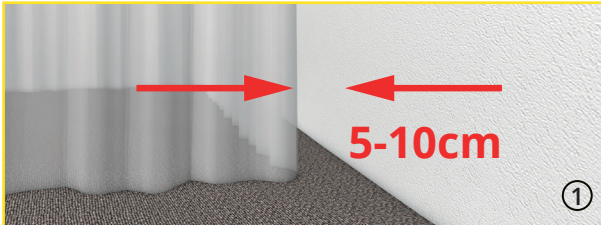




## Bed canopies

### Mounting canopies



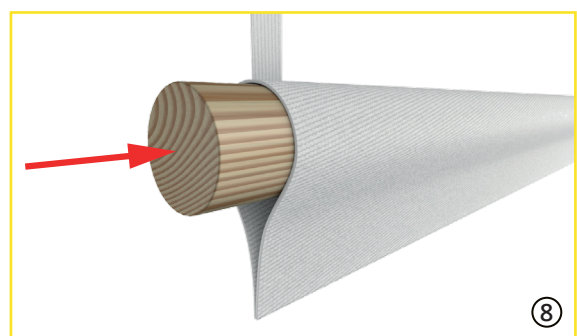
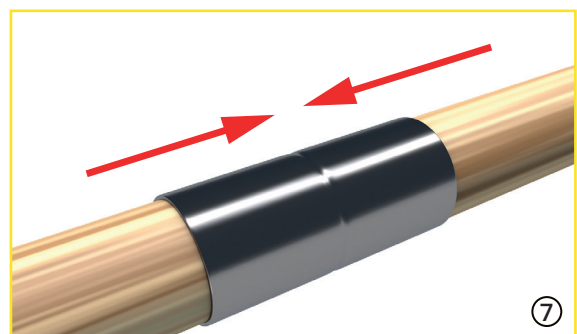
### Preparations

1. Before mounting the bed canopies, please note the distances to be observed to avoid damage. See fig. 1.
2. If you use a canopy underlay, please also make sure that the side parts of the canopy rest on the floor mat. The canopy underlay can be protected with a thin carpet. The canopy area is always smaller than the area of the canopy underlay. See fig. 2.
3. For suspension, it is recommended to take the measurements of the canopy suspension on the floor and then transfer the markings to the ceiling according to the corresponding hole pattern. See fig. 3.

It may be useful to increase the distance between the holes in order to stretch the canopy a little. To vary the width of the canopy, reduce or increase the distance between the holes on the left and right. This can be done with a plumb bob or with a cross laser and the corresponding plumb and self-levelling function.

### Mounting

1. Drill the holes with  $\varnothing$  8 mm. Screw in the hooks until the thread disappears. See fig. 4.
2. Make the knots on the loops so that the canopy rests approx. 1 cm on the floor or the canopy underlay (carpeting). See fig. 5.
3. Always plug three of the supplied wooden poles together using the aluminium sleeves. See fig. 6 + 7.
4. Then slide the pinned rods into the two upper side lengths of sewn-on fabric tunnel. See fig. 8.





**Bed canopies**

**Mounting canopies**

**Product / Scope of delivery**

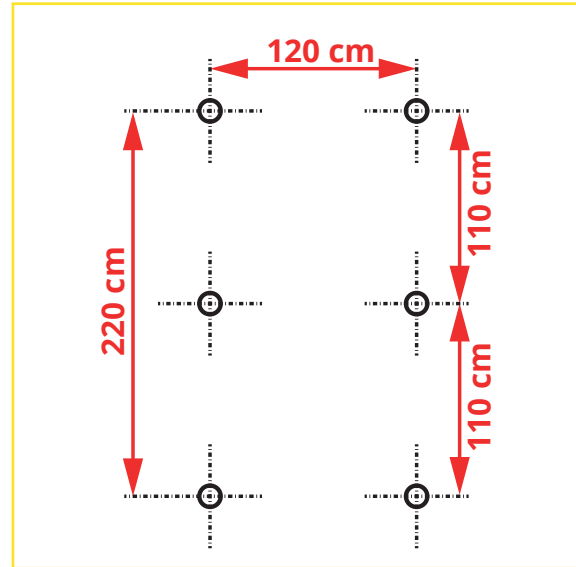
Topas- BE, Swiss Shield Naturell-BE

1 x single bed canopy,  
6 x round wooden rods Ø 25 mm x 710 mm,  
4 x connecting sleeves Ø 27 mm x 60 mm,  
6 x mounting hooks ceiling Ø 5 mm x 65 mm,  
6 x universal dowels Ø 8 mm

Canopies made of screen textiles, which cannot be included in the equipotential bonding and thus cannot be earthed, also shield low-frequency alternating electric fields. This results in a charge distribution through the fields on the canopy surface (similar to a Faraday cage).

**Attention:**

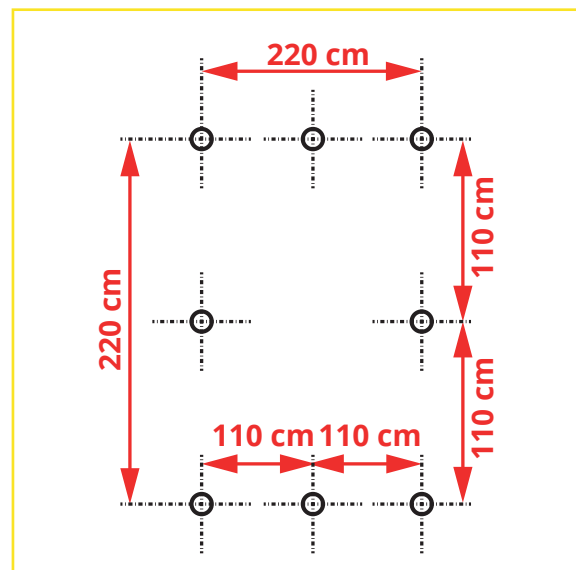
Do not operate any electrical devices inside the canopy, not even shielded ones! This will lead to field carry-over into the interior of the canopy, which means that the shielding of alternating electric fields is no longer given.



**Product / Scope of delivery**

Topas- BD, Swiss Shield Natuell-BD

1 x double bed canopy  
6 x wooden rods pine Ø 25 mm x 700 mm  
4 x connecting sleeves Ø 27 mm x 60 mm  
8 x mounting hooks ceiling Ø 5 mm x 65 mm  
8 x universal dowel Ø 8mm



**Product / Scope of delivery**

Topas- BU, Swiss Shield Naturell-BU

1 x universal bed canopy  
4 x mounting hooks ceiling Ø 5 mm x 65 mm  
4 x universal dowel Ø 8 mm

The four suspension straps of the universal canopy can also be combined into one and mounted in a central position with a hook. This is particularly useful when using the canopy as a travel canopy. With the help of a floor stand, this canopy can do without a ceiling attachment. You will find suitable holders in conventional shops, e.g. in tent supplies.

